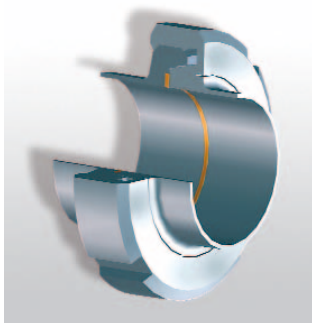


As an alternative for DIN 11864, the KIESELMANN aseptic pipe connection offers you considerable advantages in terms of technical and also financial aspects. Not only 100 % hygienic safety, but also a considerably wider application spectrum compared to elastomers will be guaranteed by the patented k-flex sealing system. In addition, you can retrofit your already built-in DIN 11851 unions anytime into an aseptic pipe connection by means of a retrofit kit.



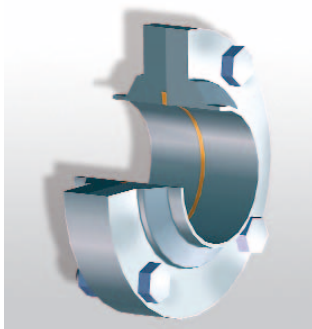
### ASEPTO-STAR RETROFIT KIT FOR DIN 11851 UNIONS

Simple and economical Retrofitting for a screw pipe connection, from DIN 11851 to an aseptic pipe connection



### ASEPTO-STAR PIPE UNION

Flexible, economical connection to DIN 11851 liner and nuts



### ASEPTO-STAR SMALL FLANGE CONNECTION

Simple assembly handling

## The *k-flex* sealing system

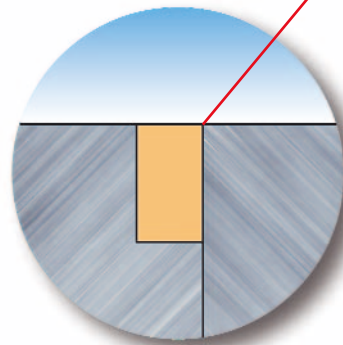
- ▶ Universal compatibility
- ▶ High chemical resistance
- ▶ Conform to FDA
- ▶ Ageing resistant
- ▶ 3 times the service life of elastomers
- ▶ Antiadhesive – therefore easy to clean
- ▶ Thermal strain of up to 150° C

## Construction

- ▶ Clearance-free sealing placement
- ▶ Metal to metal points giving predefined and therefore optimum seal compression
- ▶ No misalignment of weld edges
- ▶ EHEDG certified for cleanability and sterilisation
- ▶ Optionally: orbital weld-on end according to pipe DIN 11850 series 2



Temperature compensation (always remains leak-proof)



## TECHNICAL DATA

**Installation sizes:** DN 10 – DN 150

**Materials:** 1.4301/1.4307 / AISI 304/304L  
1.4404 / AISI 316L

### Sealing materials:

Aseptic unions 11864-1	<i>k-flex</i>
Aseptic flange 11864-2	<i>k-flex</i>
Aseptic unions	<i>k-flex</i>
Aseptic retrofit kit	<i>k-flex</i>

Further sealing materials on request

### Surfaces

**Product wetted:** Ra < 0,8 µm,  
optionally Ra < 0,5 µm

**Outside surface:** Ra < 1,6 µm

**Operating pressure:** PN 6, PN 10, PN 16