

GERNEP

MADE IN GERMANY

PRECISION IN LABELLING

ROLLINA

**Economical and Efficient –
Wrap-Around Labelling
with Hot Glue**

ROLLINA

MADE IN GERMANY

ROLLINA

ROLLINA

Economical and Efficient – Wrap-Around Labelling with Hot Glue



Fully automatic labelling machine for containers made of glass, plastic, metal, and moulded containers

Performance range:

Dependant on the type of machine and the packaging
1,000 – 40.000 containers/hour

This labelling machine for economical wrap-around labelling with cut labels works without expensive roller gluing. The hot glue is economically applied to the container selectively through nozzles and consequently the label is removed directly from the magazine. The end is glued using a continuous vertical glue sealing strip. With this gluing method, we save not only the format subcomponents, but we also considerably minimise the daily cleaning work.



Our Configuration Possibilities:

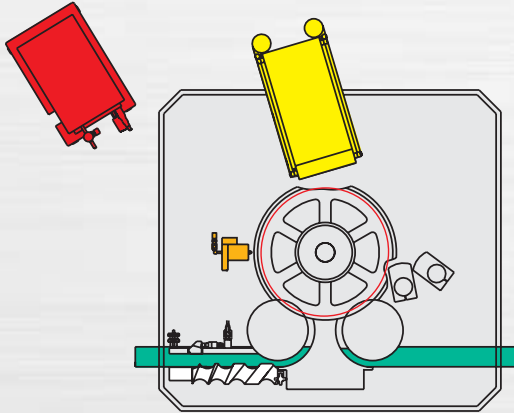
The GERNEP ROLLINA is the universal labelling machine for advertising wrap-around labels made of paper or plastic on jars, bottles, and tins, whether for large or small wrap-around labels. The only condition is that the area to be labelled must not be conical or curved.

Advantages of the GERNEP ROLLINA System

- compact space-saving machine design
- high machine availability through brand-name components in the drive and controller
- ultramodern label gluing: hot-melt glue application using nozzles, closed gluing system, non-contact gluing to container at start of label, uninterrupted glue strip at end of label
- targeted transfer of label to container
- minimised maintenance and cleaning times
- robust belt drive
- easy conversion



The perfect wrap-around labelling with cut labels – especially for elastic PET bottles



Operator Friendly and Low-Maintenance

The ROLLINA has a high level of operating comfort. The machine works continuously with easy handling and minimum operating effort at the same time. Conversion to other containers and label formats is quick and easy. The closed hot glue system is absolutely low-maintenance. The ROLLINA is completely protected with transparent, nicely shaped protective coverings and complies with the highest accident protection standards.

Easy Conversion

The GERNEP ROLLINA is extremely fast and easy to convert to other bottle sizes. To convert to another container diameter, besides the guides, only a single toothed belt wheel has to be changed. The gluing at the start of label is adapted with a handy 2-way adjustment.



Firmly seated labels with very low glue consumption

With a special hot glue unit, hot glue is applied to the container selectively via nozzles without contact. With these glue spots on the container, the label is removed directly from the fixed label container. The end is glued by means of a vertical glue strip on the end of the label.

Since gluing takes place in a closed circuit, the entry of any foreign matter is effectively prevented. The cleaning work is also minimised to a great extent.

For labels of different heights, the nozzle necessary for gluing is simply switched on or off.

Drive and Control

The drive of the GERNEP ROLLINA labelling machine uses a three-phase AC motor with a frequency-controlled drive. The integration of a programmable logic controller (PLC) guarantees not only reliable functionality, but it also opens up the ROLLINA labelling machine to a variety of special attachments.

Initiators installed in the inlet and outlet make it possible to have fully automatic operation and speed monitoring. The electrical installation is completely prepared for integration in new or existing lines.

Robust and Solid

- The practical, compact construction is matched to the performance class.
- Economical, customer-specific one-off production through technically mature modular system
- Optimum corrosion protection through high-quality materials such as stainless steel and wear-resistant plastics
- helically cut geared wheels ensure very quiet running and engage almost silently
- Low noise through the use of noise-reducing, abrasion-resistant plastics
- Installation of self-adhesive dispensers for self-adhesive labels possible on request



Precise Rolling

The rotation of the bottle, which is controlled by toothed belts, rolls the label around the cylindrical container and glues it to the end. When labelling moulded containers, the belt drive is replaced by a control pad system for specific rotating of the container plate.



GERNEP

MADE IN GERMANY

PRECISION IN LABELLING

Special Attachments:

Through our flexible modular system, we can adapt the ROLLINA to different requirements or retrofit it afterwards in a cost-conscious way. That way, you are ready for all future labelling requirements with a ROLLINA labelling machine.

We would be happy to advise you on the possibilities that this labelling machine provides.

Dating:

With our variable inkjet or laser printers, we can put expiry dates, price or contents information, as well as test numbers or code number on any desired location of the label.

Label Checking:

With this electronic label checking station that can be integrated in the machine, a pusher can be controlled at the outlet that sorts out incorrectly glued bottles.

More than 30 Years of Tailor-Made Labelling Machines – Made in Germany

Just like Germany is dedicated to the art of brewing, we at GERNEP have been dedicated to our claim of "precision machine construction Made in Germany" for more than 30 years. Thanks to the solid know-how of Helmut Gerstberger, Berthold Neppel, and in the second generation Martin Hammerschmid in management, we maintain closeness to the customer that makes decisions possible in the fastest possible way and which makes it possible to complete projects economically and responsibly.

Consulting

Even before an order, we provide advice on the best and most economical solution, starting with optimum processing materials and practical label formats, right up to advanced labelling possibilities provided by our labelling machines.

Design

Our labelling machines are adapted by our designers on the most modern CAD systems to meet the specific requirements. Through ongoing new developments, our machines are always state of the art.

Installation / Repair Service

With our worldwide customer service network, we offer reliable local support after the machine is put into operation.

Our technical service staff can be deployed worldwide in the shortest possible time if need be. We keep the maintenance and repair work to a minimum through our online service. That way, we simplify troubleshooting and repairs in a cost-saving way.

Project Management

Our practical development team will find the optimum solution for any planning requirement. We provide quick and uncomplicated consulting onsite and develop your project plans on the most modern CAD systems.

Made in Germany

As an accompaniment to our combined series and individual production on modern CNC machining centres, all work steps are documented for later conversions or expansions. Ongoing quality control and extensive trial runs before shipping the machine guarantee fast installation onsite.

Spare Parts Service

Our extensive spare parts service ensures fast availability in the event of repairs and conversions. Our well-stocked warehouse and flexible production guarantee an uninterrupted supply of all spare parts and fittings worldwide, even after years.

GERNEP GmbH

Benzstraße 6

93092 Barbing/GERMANY

Tel.: +49 (0)94 01 /92 13 -0

Fax: +49 (0)94 01 /92 13 -29

E-Mail: info@gernep.de

Internet: www.gernep.com



MADE IN GERMANY

Subject to technical changes

1.06.RP / www.agentur-rubel.de

